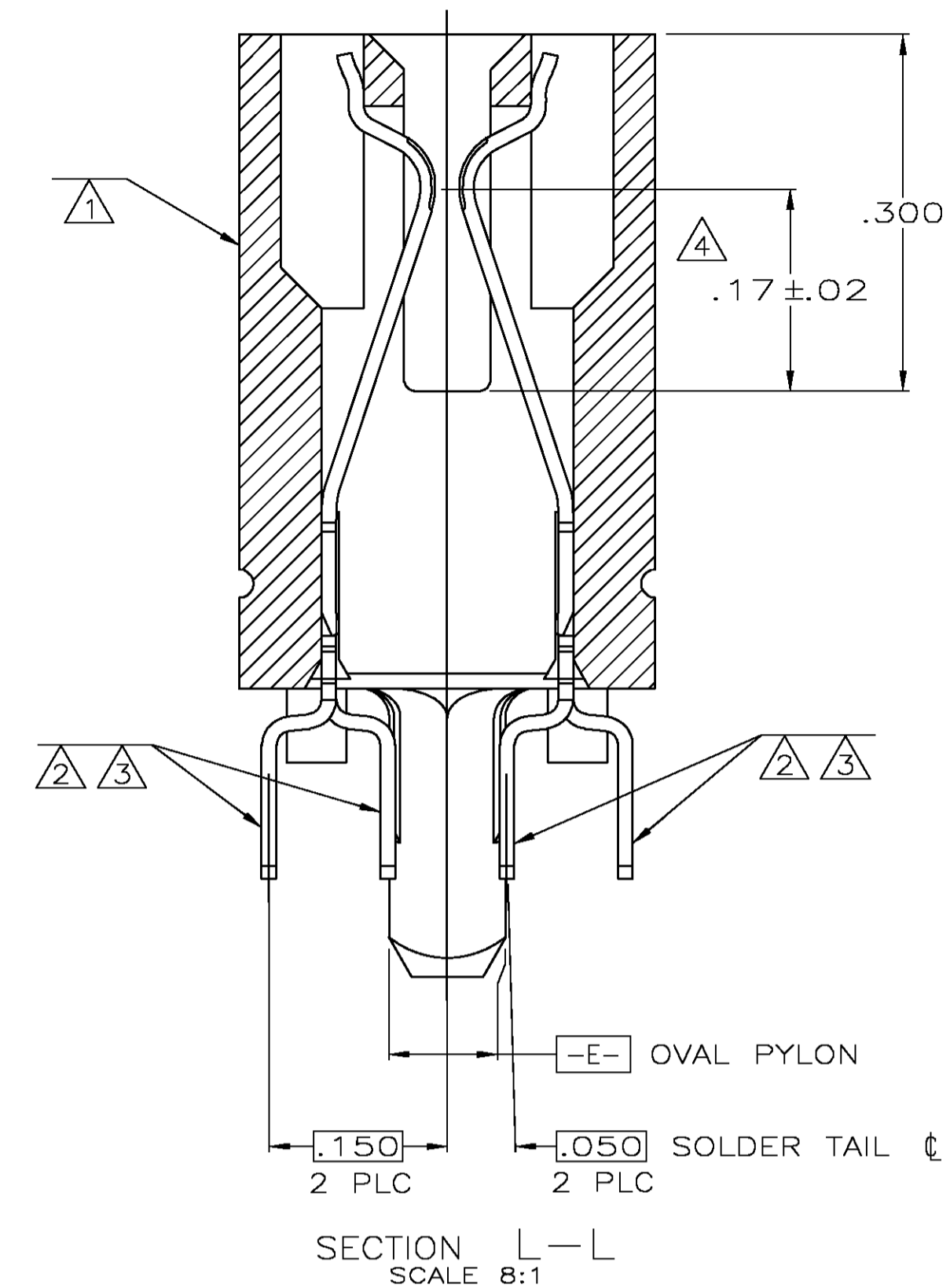
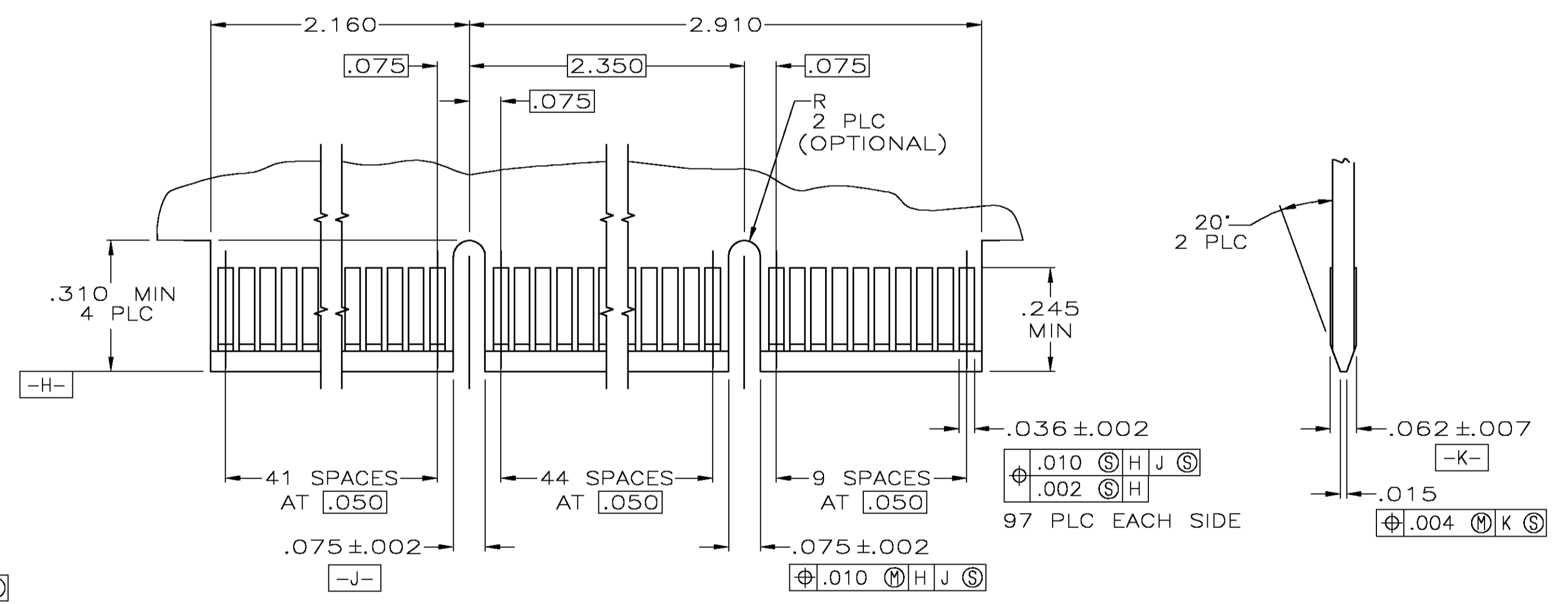


RECOMMENDED CONNECTOR MOUNTING HOLE PATTERN  
(CONNECTOR SIDE SHOWN)



SECTION L-L  
SCALE 8:1

- ① HOUSING: HIGH TEMPERATURE THERMOPLASTIC. COLOR: BROWN.
- ② CONTACT: PHOSPHOR BRONZE.
- ③ CONTACT FINISH: .000100 MIN NICKEL ALL OVER. .000030 MIN GOLD OVER NICKEL IN CONTACT AREA. .000100 MIN TIN-LEAD OVER NICKEL ON SOLDER TAILS.
- ④ DISTANCE FROM CONTACT POINT TO BOTTOM OF CARD SLOT.
- ⑤ AMP PART NUMBER, DATE CODE AND CSA LOGO MARKED IN APPROXIMATE AREA SHOWN.



RECOMMENDED MATING BOARD EDGE CONFIGURATION

OBSOLETE	.125	650706-3
	.14	650706-2
OBSOLETE	.10	650706-1
	W	PART NUMBER

THIS DRAWING IS A CONTROLLED DOCUMENT.		DNW K.L.CLOUSER/UTA 11-21-91	01/24/91	Tyco Electronics Corporation Harrisburg, Pa 17105-3608
DIMENSIONS: mm		CHK M.BOWERS	APVD	
TOLERANCES UNLESS OTHERWISE SPECIFIED:		PRODUCT SPEC 108-14034 APPLICATION SPEC 114-26012		NAME CONNECTOR ASSEMBLY, 97 DUAL POSITION, .050 SERIES, STANDARD EDGE
0 PLC ± - 1 PLC ± - 2 PLC ± .01 3 PLC ± .005 4 PLC ± - ANGLES ± ±		SIZE A1	DATE CODE 00779	
MATERIAL		WEIGHT		RESTRICTED TO
FINISH		CUSTOMER DRAWING		SCALE 4:1 SHEET 1 OF 1 REV G